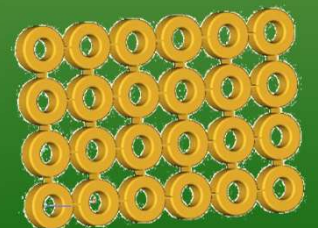
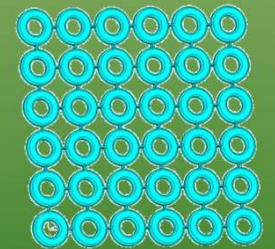
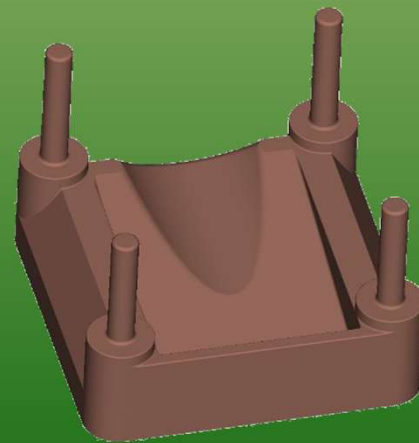
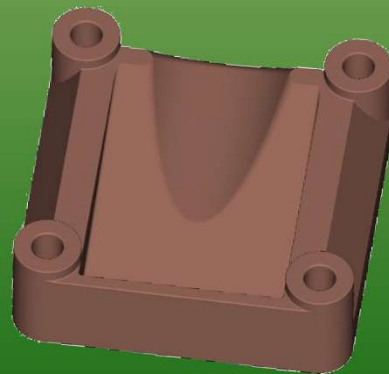




Xerbath's TableTopModels

Marker-carriers for Tables + Microsoft PowerPoint Templates

STL-Files for 3D printing,
to be used for table-top games as CTE,
with 3D STL data for (included) matching washers and PPT-
Files to generate own Unit-reference cards



Whiteboard- Halter für Moral-
Anzeige-Scheibchen

whiteboard-carrier for morale
indicating washers

Whiteboard- Regiments-Karten

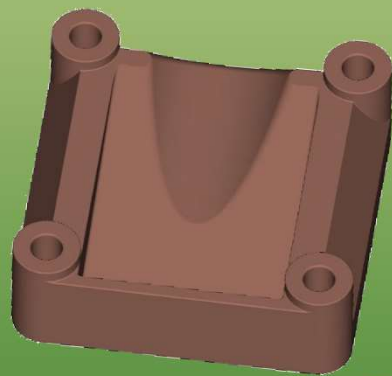
whiteboard-regiment-cards

Whiteboard- Geschütz-Karte zum
anzeigen des Ladezustands

whiteboard-cannon-cards to show
the charging-status of a gun

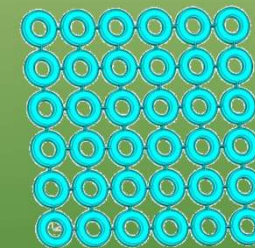
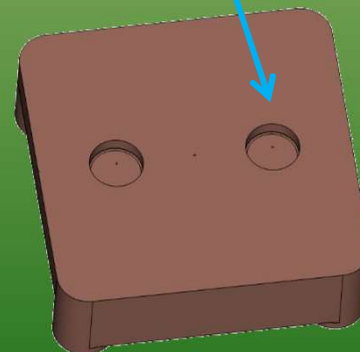
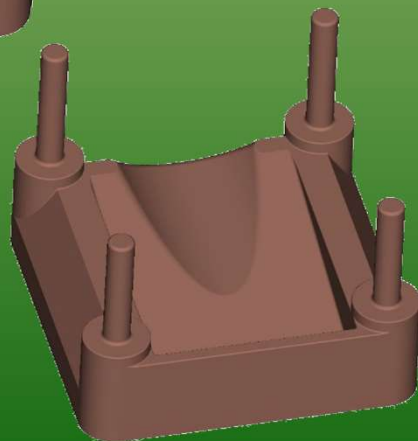


1. The carriers are thought to be put on a table to carry markers for morale, or other properties used in a table-top game. So a lot of units can be handled easily.
2. To use the ones with holes instead of pin, put 25mm-30mm round wood with diameter 4mm into its holes. This solution is the more stable one if you got some issues with printing.
3. there are two sizes of washer matching to the carriers : thickness of 2mm for single count, of 4mm for multiple count. I used a light blue for single, silver for multiple – but of course this is at the option of the user
4. Use the Microsoft PowerPoint templates to print for each unit a card representing it. It is recommended to print them on paper weight > 120g and stick them on self-adhesive magnetic foil. These can then be stapled to a white board



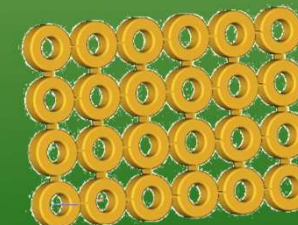
wenn auf einem metallischen oder mit Ferrit-Farbe angemalten Tischeingesteckt :einkleben 8x2mm Neodyn oder Magnetband

if used on a metallic or ferrit coloured table: to glue 8x2mm Neodyn or magnetic tape



Zählscheibchen / washer
4,6mm x2mm

count 1



Zählscheibchen / washer
4,6mm x4mm

count 4 (or as desired)